

Ventilation Solutions

Laundries



A New Day - and a New Name for Dryer Exhaust Fans

Remember the good old days when laundry spaces were designed so that clothes dryers could be vented directly through an exterior wall with just a few feet of straight duct? Those days are over. Seduced by the fashion and functionality of the latest laundry room trends (including

proximity to bedrooms, multi-function capability, elaborate storage and fixtures, etc.) many homeowners are putting builders and contractors in a tough spot when it comes to proper and effective dryer ventilation.

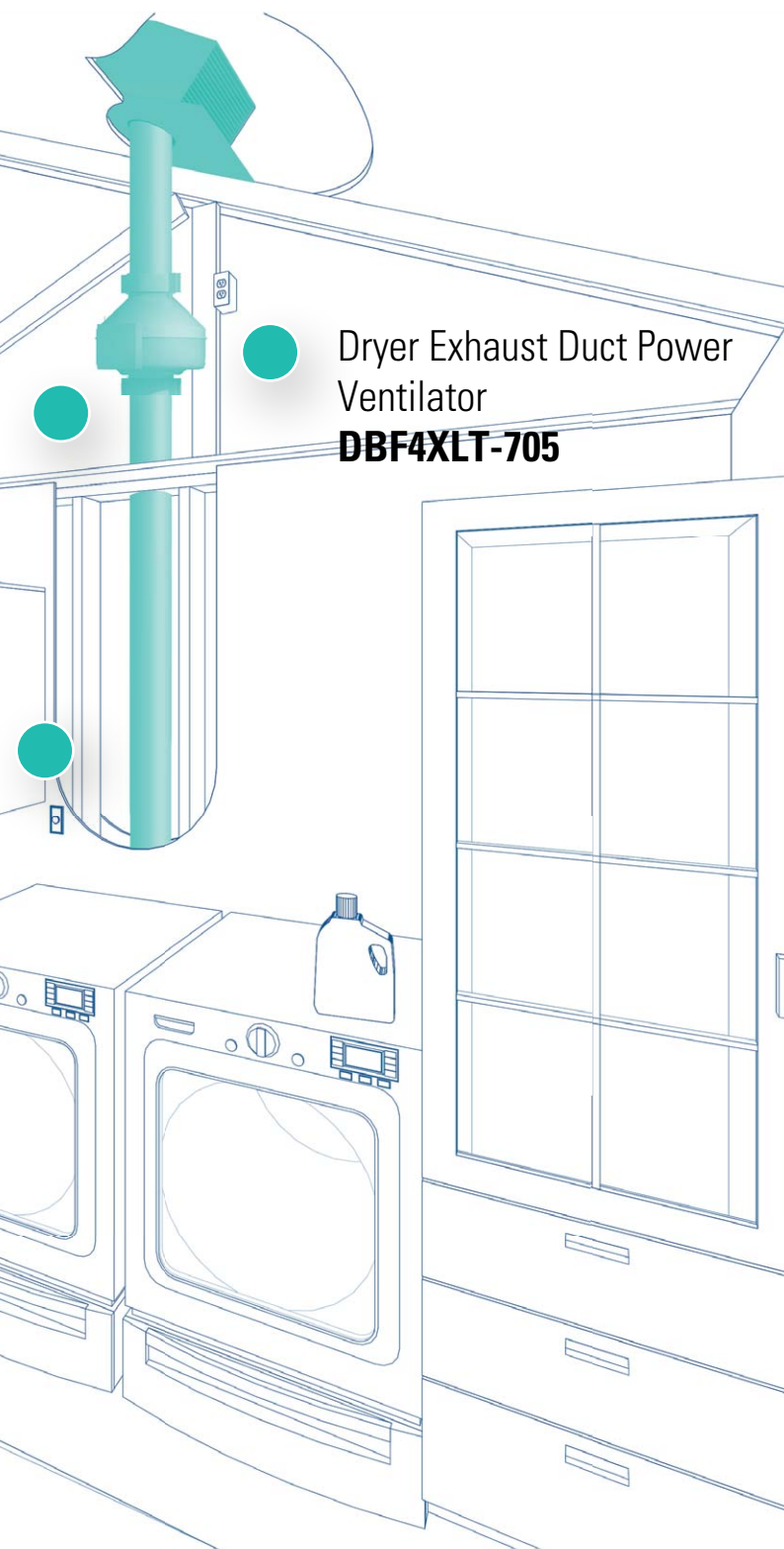


FC 4

Mounting clamps

LCD

Indicator panel



Dryer Exhaust Duct Power Ventilator
DBF4XLT-705

Such preferences often result in longer duct runs with multiple bends and turns that impair dryer efficiency and interfere with a builder's ability to meet building code. A properly applied dryer exhaust fan, preferably one that meets the latest UL Standard, may be the only solution that makes everyone happy – including the home inspector and the local fire chief.

The 2012 International Residential Code (IRC) is pretty specific when it comes to dryer exhaust venting. The maximum length for dryer exhaust duct cannot exceed 35 feet from the dryer location to the wall or roof termination. Each elbow reduces this maximum allowable length by 5 feet since the restricted airflow that these fittings create is more than the same length of linear duct. Each dryer exhaust has its own specifications for duct length, so contractors should refer to these instructions, as well, to make sure the dryer duct length does not exceed a particular model's capability. Given these restrictions, it is highly likely that dryers located in interior spaces will exceed either the IRC or the manufacturer's limits on duct length.

For years, these fans have been applied with great success in homes with excessively long dryer exhaust duct runs. And many homeowners, once burdened with long dryer cycles and perpetually damp clothes, have been delighted with the results.



Underwriters Laboratory (UL) has since developed a supplement to UL705 that does specifically address the safety of fans used to facilitate proper dryer exhaust and has given the product a new name, Dryer Exhaust Duct Power Ventilator (DEDPV).

MORE THAN JUST A DRYER EXHAUST FAN..

The DBF4XLT-705 (DEDPV) allows for 4" dryer exhaust duct runs up 130 feet and meets the new UL requirements.

All fans are equipped with an upgraded pressure sensing circuit, LED indicator display panel, temperature limit switch, and fast clamps for easy installation and maintenance.



IT'S A UL LISTED DEDPV

NEW



Distinguishing features between DEDPVs and other dryer exhaust fans

While fans of another name may be installed in dryer exhaust applications (at least for now) UL has announced that all Dryer Exhaust Duct power Ventilators “DEDPV” products manufactured after July 31, 2012 must comply with the new supplemented requirements of UL705 for sale in the US market.

The new UL testing standards for DEDPV products are quite complex and have been adjusted to pertain exclusively to the operation of ventilation fans in dryer applications. The tests confirm key safety features and operation, including redundant safety circuits, adequate air velocities, temperature sensing mechanisms, cleanout access, etc. These tests go well beyond the UL standards that were once imposed on dryer exhaust fans. And while they may not be required by building codes yet, eventually most if not all jurisdictions will require the UL marking for fans used in this application.



The primary differences between DEDPVs and other dryer exhaust fans are:

DEDPV fan housings are always made of metal, never plastic.

In the event of a fire in the dryer or exhaust duct, the fan senses the rise in temperature and shuts down within 15 seconds, limiting the spread of fire and damage to the home. The terminal box is equipped with an integrated pressure switch.

Under normal operating conditions, the LED panel of a DEDPV, which should be prominently displayed in a laundry room, will illuminate when the fan is in operation. This steady state illumination should correspond with the operation of the dryer for the duration of the cycle.





DBF 4XLT-705

Dryer Exhaust Duct Power Ventilator

- UL Listed to UL705 supplement
- Indicator panel is included
- Temperature limit switch, shuts down the fan in case of fire
- Metal housing
- Integrated pressure switch
- Maintains 1,200FPM velocity: lint doesn't drop into the duct



The Fantech dryer exhaust duct power ventilator has been specially designed to solve the problems caused by long duct runs on clothes dryers.

When the dryer is on, Fantech's patented pressure sensing switch automatically turns the ventilator on. The warm, moist air in the dryer duct is exhausted out of the building quickly. The DEDPV monitors the status of the dryer and will turn itself off when the dryer stops. Wall mounted indicator panel with LED display lets homeowners know that fan is fully operational. The panel will also alert homeowners of problems such as no power, blocked duct, locked motor rotor and low speed conditions.

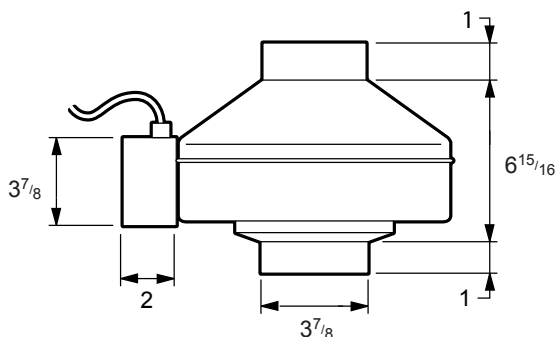
The system includes 2 pair of mounting clamps with a pair of cleanouts and a wall mount low voltage LED indicator panel. A 50 foot control cable is included to connect the indicator panel to the DEDPV. The unit can be used to effectively exhaust a 4 inch dryer duct run up to 130 feet.

Specification data

Model	Duct size	Rated power	Voltage / phase	Max. amps	0.0" P _s	0.2" P _s	0.4" P _s	0.6" P _s	0.8" P _s	1.0" P _s	Shipping weight	UPC #
	inch	W	V / ~	A	cfm						lbs	
DBF 4XLT-705	4	83	120 / 1	0.73	170	150	134	119	103	86	10	46005 1

Per HVI'S Certified rating program, charted air flow performance has been derated by a factor based on actual test results and the certified rate at 0.2 inches WG.

Dimensions



Dimensional information is in inches.

Cleaning the dryer exhaust is now easier and quicker.

The DEDPV is designed with access points before and after the fan, which allows for easy access to the duct and fan impeller.

DBF Series Dryer Exhaust Fans



DBF 4XL - DBF 4XLT

- Airtight galvanized steel housing ensures no leakage into structure
- Maintains 1,200 FPM velocity to suspend lint
- Pressure switch to activate the fan when the dryer is on
- 5 1/2 feet electrical cord with plug and mounting bracket

DBF 4XL and DBF 4XLT are dryer exhaust fans with backward inclined blades of the motorized impeller, which allows lint to pass through the fan. These models can be used to effectively extract dryer exhaust in duct runs up to 130 feet.

The DBF 4XLT model features an integrated airflow sensing switch, quick connect/disconnect fast clamp, and wall-mount indicator panel. LED light on the panel lets homeowners know fan is working properly.

DBF 110

- Maintains 1,200 FPM velocity to suspend lint

The DBF 110 dryer exhaust fan is engineered of thermoplastic resin and features an integrated automatic pressure switch. It can be used on dryer duct runs up to 108 feet. The fan's backward inclined blades allow lint to pass through the fan. The fan can be mounted in any angle at any point along the duct run and its straight-through air flow design allows for easy installation.

DBF 4XLT



DBF 4XL



DBF 110



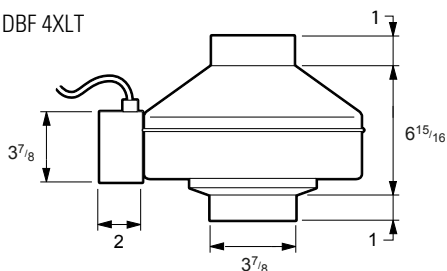
Specification data

Model	Duct size	Rated power	Voltage / phase	Max. amps	0.0" P _s	0.2" P _s	0.4" P _s	0.6" P _s	0.8" P _s	1.0" P _s	Shipping weight	UPC #
	inch	W	V / ~	A	cfm						lbs	
DBF 4XLT	4	83	120 / 1	0.73	170	150	134	119	103	86	10	12540 0
DBF 4XL	4	83	120 / 1	0.73	170	150	134	119	103	86	10	12040 5
DBF 110	4	80	120 / 1	0.72	167	150	133	113	88	63	9	12110 5

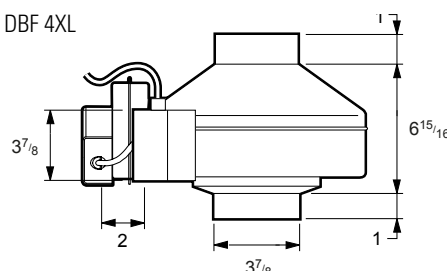
Per HVI'S Certified rating program, charted air flow performance has been derated by a factor based on actual test results and the certified rate at 0.2 inches WG.

Dimensions

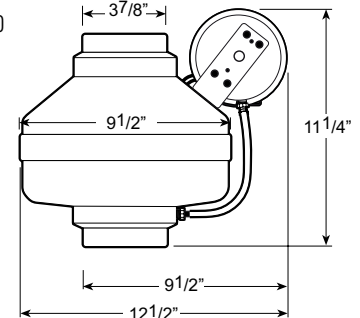
DBF 4XLT



DBF 4XL



DBF 110



Dimensional information is in inches.

RVF 4XL

Exterior-Mount Fan for Dryer Exhausting



RVF 4XL

- Galvanized steel housing features powder-coat finish
- External rotor motor with totally enclosed design allows fans to operate in high moisture, lint and dust laden air
- Motors feature thermal reset overload protection
- All motors and impellers are designed as one integral unit, allowing for excellent motor heat dissipation, even at low RPM
- Permanently lubricated sealed ball bearing for long life and maintenance free operation



Fantech’s popular exterior-mount exhaust fan with white, powdercoated metal housing can be used for dryer exhausting when paired with a DB10 Pressure Switch (purchase separately). Ideal for condos and apartments as well as homes. Effective on duct runs up to 130 feet. Pressure switch automatically activates the fan when the dryer comes on.

Specification data

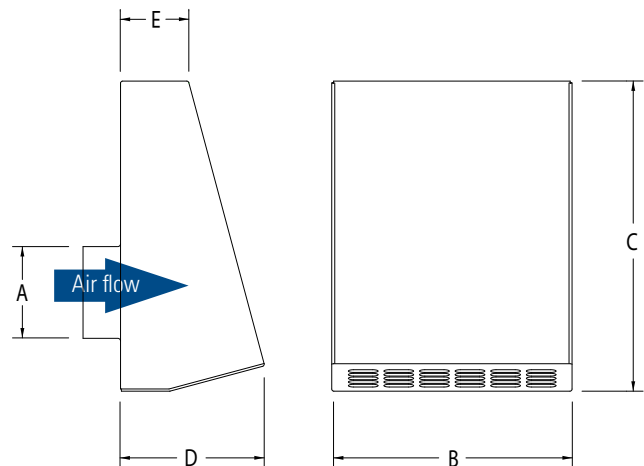
Model	Duct size	Rated power	Voltage / phase	Max. amps	0.0" P _s	0.2" P _s	0.4" P _s	0.6" P _s	0.8" P _s	1.0" P _s	Shipping weight	UPC #
	inch	W	V / ~	A	cfm						lbs	
RVF 4XL	4	92	120 / 1	0.84	193	172	154	136	118	91	10	23045 6

Performance shown is for installation type with duct inlet Per HVI'S Certified rating program, charted air flow performance has been derated by a factor based on actual test results and the certified rate at 0.2 inches WG. RVF Series performance is shown with ducted inlet.

Dimensions

Model	A†	B	C	D	E
RVF 4XL	3 7/8	10 1/4	13	6	2 3/4

Dimensional information is in inches.



Accessories

for Dryer Exhaust Fans

DBLT 4W

Lint Trap for Dryer Exhaust Fans

Galvanized metal lint trap for dryer exhausting applications. Use when duct length between dryer and exhaust fan is less than 15 feet. Fits 4-inch duct and 2"x6" constructions. Features pull out white door with a view window with attached removable lint filter for easy cleaning and 1/2" flange for flush mount installation. The lint trap complements all Fantech dryer exhaust fans.



Specification Data

Model	Duct Size, inch	Accessibility	Weight, lbs	UPC #
DBLT 4W	4	Door	4	12004 7

DB 10

Pressure Switch

Automatic pressure switch allows for fully automatic operation of dryer exhaust fan. Fan runs for 10 minutes when positive pressure is sensed in the duct line then shuts off and turns on again as needed. The switch is used with DBF 4XL, DBF 110 and RVF 4XL.



Specification Data

Model	Voltage, V	Max Current, A	Weight, lbs	UPC #
DB 10	115	2	1	12010 2

FC

Fast Clamps

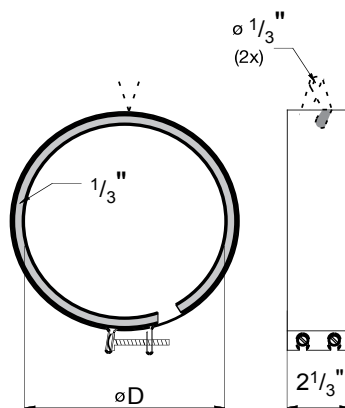
Our Fast Clamps facilitate the installation and removal of fans for service and cleaning. Made from galvanized sheet steel and fitted with an 1/3" neoprene lining, which suppresses vibration and ensures a tight fit. The mounting clamps are fastened together by two screws, which allow for connecting ducts with a marginal difference in diameter. Sold in pairs.



Specification Data

Model	øD	Neoprene lining, inch	Weight, lbs	UPC #
FC 4	4	1/3	1	51040 4
FC 5	5	1/3	1	51050 3

Dimensions



Dimensional information is in inches.

DID YOU KNOW..

Dryer Exhaust Duct
Power Ventilator
DBF 4XLT-705

That according to the National Fire Prevention Association (NFPA), the leading cause of home fires is from lint ignition in the dryer or dryer duct?

A DEDPV or Dryer Booster from Fantech maintains an airflow that keeps lint suspended exhausting it to the outside, thereby reducing the risk of fire.

That Spontaneous Combustion can occur in the dryer after the dryer stops due to high heat and no airflow?

The DEDPV continues to operate for a short period of time after the dryer stops which cools the clothes and lessens the risk of spontaneous combustion.

Dryers don't have an indicator to tell if there is a build up of lint in the duct?

A safety feature of the DBF4XLT and DBF4XLT-705 is a visual indicator panel. This provides the user with a visual indication of correct operation or, indication of a pressure increase due to a blocked duct. This advanced warning allows the user to take action to clean the dryer exhaust duct.

That most dryers are limited to a duct run of 35'?

Using a DEDPV or Dryer Exhaust Fans can increase the duct run up to 130 ft, as the fan relieves the pressure in the extended duct allowing the dryer to work efficiently.



Customer Support:

Canada 800.565.3548 • USA 800.747.1762 • support@fantech.net



Send Orders:

orders@fantech.net • 877.747.8116

Fantech reserves the right to modify, at any time and without notice, any or all of its products' features, designs, components and specifications to maintain their technological leadership position.

